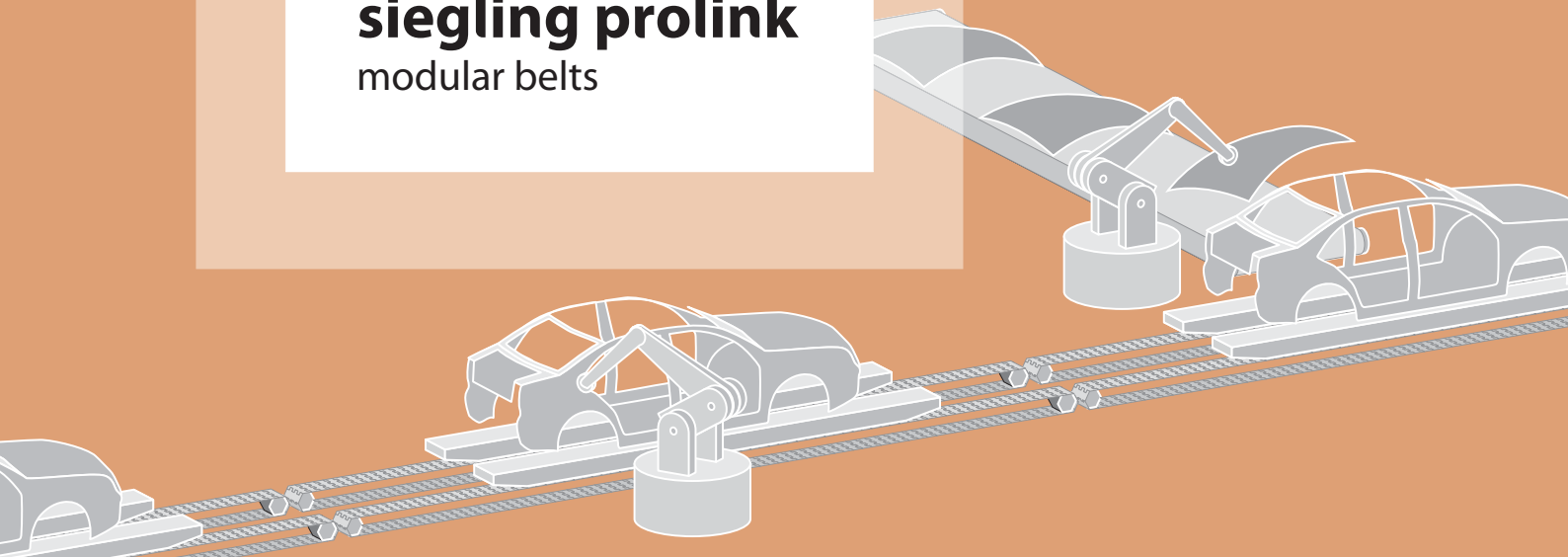


# siegling prolink

modular belts



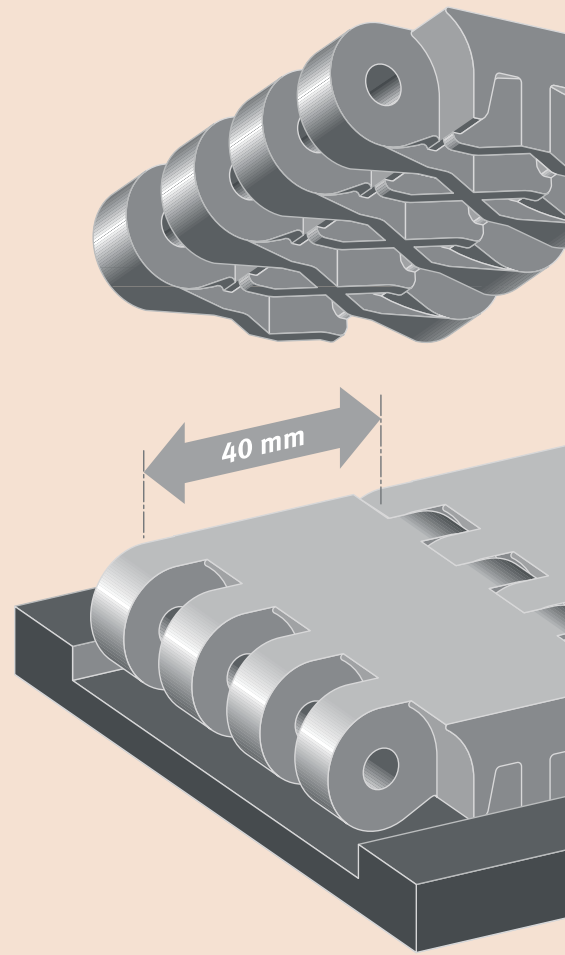
Right on track and  
ready for action



# Right on track and ready for action: Siegling Prolink skid conveyor belts

There's a lot to do in vehicle body and paint shops before vehicles can stand on their own wheels. The skids require a strong partner to stay on track in the production process: Siegling Prolink skid conveyor belts. With sophisticated shapes and excellent material, they are extremely reliable and moderately priced.

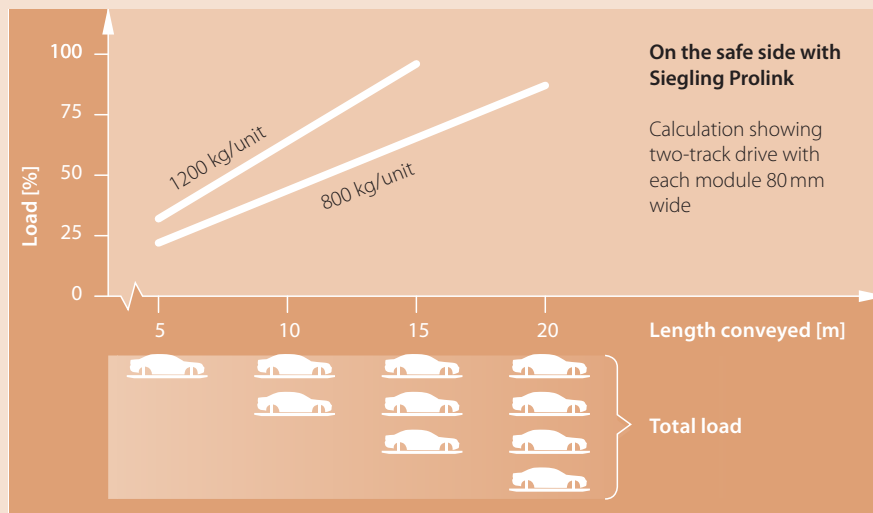
Siegling Prolink skid conveyor belts. Extremely strong, extremely economical.



## The properties

## The advantages

narrow pitch (40 mm)	▶ small sprocket diameters, compact conveyor construction, chordal action minimised
low belt weight, material ideal for the gliding base underneath	▶ lower drive force, low-noise, smooth tracking
robust, distortion-resistant modul design	▶ very resilient, resistant to abrasion and shocks
no lubrication necessary	▶ little maintenance required



Ref. no. 121-2  
01/09 - PV - Reproduction of text or parts thereof only with our approval. Subject to change.