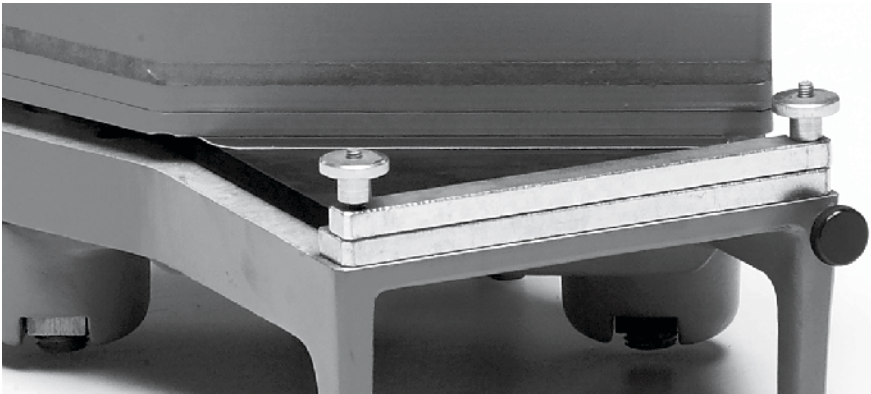


Splicing technology: Heating presses for bonded splices



Brief outline

Top part with control light and thermostat to control heating platen temperature. Lower part with pressure equalizing plate and belt holder than can be removed from one side.

SB-HP-180/200 and SB-HP-180/300 with heating platens that can be cooled with water.

Applications

- Belt thicknesses to max. 8 mm
- Belt widths depending on type between max. 50 mm and max. 300 mm
- Can be used in all industries/segments
- For bonded splices with heating platen on one side, pressure and temperatures adjustable to 120 °C

Supplied as

SB-HP-120/50: Heating press with thermometer, heat resistant films, soft pad and equalizing sheet in a cardboard box

**SB-HP-160/100; SB-HP-160/150;
SB-HP-180/200; SB-HP-180/300:**

Heating press with pressure equalizing sheet, thermometer, heat resistant films, soft pad and equalizing sheet

Accessories

- Portable cooling device for SB-HP-180/200 and SB-HP-180/300

Spare parts

Numerous spare parts such as:

- Thermometers,
- Thermostats,
- Equalizing sheets,
- Films etc.

Reference nos. for these are given in each tool sheet.

Tools can be sent for repair to the Forbo Siegling service department. You can also lease tools on request.

Contents

Preparation tools

- for cutting
- for splitting/peeling
- for grinding
- for punch cutting

Splicing tools

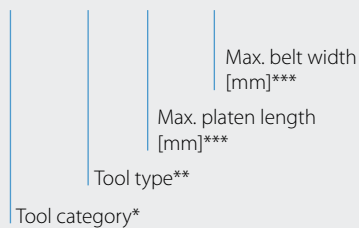
- for bonded splices – heating presses
- for melt splices – heating clamps
- for melt splices – heating presses
- for melt splices – special heating tools
- for mechanical fasteners

Heating presses for bonded splices

Type designation	SB-HP-120/50	SB-HP-160/100	SB-HP-160/150	SB-HP-180/200	SB-HP-180/300
	Heating press	Heating press	Heating press	Heating press	Heating press
Technical data					
Dimensions (l x w x h)	[mm] 250 x 105 x 85	325 x 180 x 190	375 x 240 x 220	410 x 310 x 250	300 x 480 x 380
Length of heating platen	[mm] 120	160	160	180	180
Max. material width 60°	[mm] 50	100	150	200	300
Weight	[kg] 2	8.5	10.5	20	35
Voltage	[V] 230/110	230/110	230/110	230/110	230/110
Power	[kW] 200	400	600	700	850
Max. heating temperature	[°C] 120	120	120	120	120
Heat-up time	[min] 10	6	10	10	10
Article nos. basic tool					
230 V	870067	870069	870070	870075	870076
110 V	870949	870950	871240	871241	871298
Article nos. accessories					
Cooling device WCD-55	-	-	-	870356	870356
Tool sheet no.					
	T-040	T-041	T-041	T-042	T-005

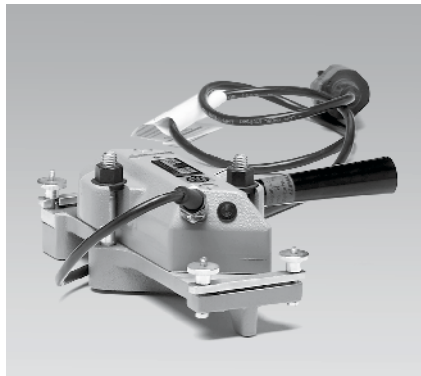
Type key

SB - HP - 120 / 50

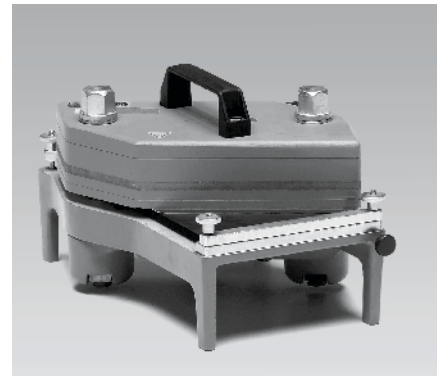


* SB = splicing tools for bonded splices

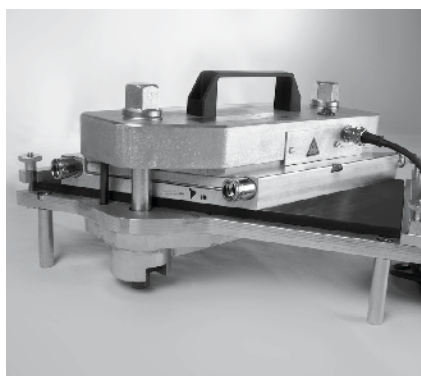
** HP = heating press



SB-HP-120/50



SB-HP-160/150



SB-HP-180/200



MOVEMENT SYSTEMS

Forbo Siegling GmbH
Lilienthalstrasse 6/8, D-30179 Hannover
Phone +49 511 6704 0, Fax +49 511 6704 305
www.forbo-siegling.com, siegling@forbo.com

Forbo Movement Systems is part of the Forbo Group,
a global leader in flooring, bonding and movement systems.